

AURA.260 WORKSTATION

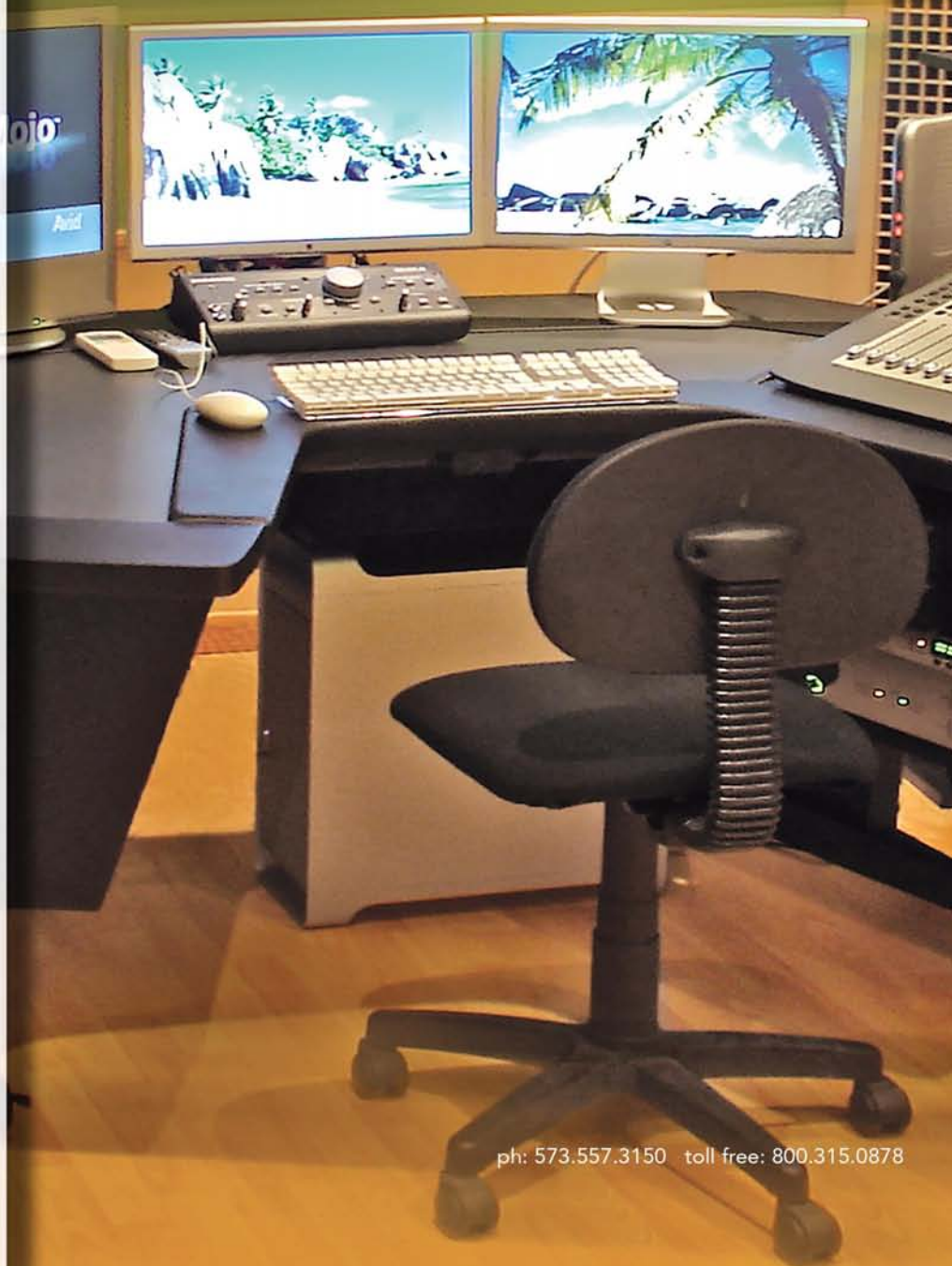
●●●●● ARGOSY

Imagine -
then transform.

ESCAPE THE COMPLEXITY

with an AURA.260 - the ideal workstation environment. Already acclaimed as the most exciting workstation available - it's also extremely resilient. Nearly every component has a durable powder coat finish.

Your dream studio
just got closer.



ph: 573.557.3150 toll free: 800.315.0878

AURA.260 WORKSTATION

ENERGIZE YOUR CREATIVITY and workflow with a 'command center' look and feel. Keep essential rack mount gear close with rackspace above and below - available on the left, right, or both sides.



AURA.260-N
Depth: 51.75"
Width: 81.5"
Height: 29.0"

ACCESSORIES



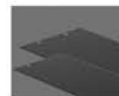
21" Shelf
Modification



Dual
Monitor Arm



Speaker
Platforms



Blank Panels



Rack Rail
Screws

NEED A CUSTOMIZED SOLUTION?

Give us a call to discuss what you have in mind, we're happy to help.

WARRANTY

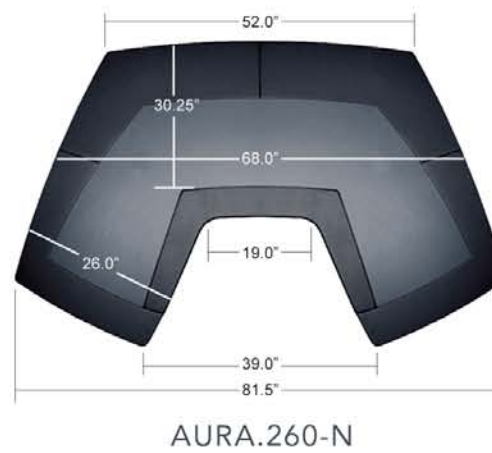
ARGOSY WARRANTS ALL MATERIALS AND WORKMANSHIP TO BE FREE OF DEFECTS FOR A PERIOD OF ONE YEAR.

For more information about our products and services or to see a list of dealers, please visit us at www.argosyconsole.com or call the numbers below.

©2008 ARGOSY CONSOLE, INC. All rights reserved. Argosy is a registered trademark of Argosy Console, Inc. Other trademarked names are the property of their respective owners.

ph: 573.557.3150 toll free: 800.315.0878

AURA.260



AURA.260 is shipped disassembled and is available in four different models. The 260-N features a full desk surface with "lower" racks on the left and right. The 260-LR has "upper" and "lower" racks on the left and right side. AURA.260 is also available in combinations of one "upper" side rack and one "lower" side rack unit. The 260-L (not shown) features an "upper" rack on the LEFT side. The 260-R (not shown) features an "upper" rack on the RIGHT side. *Free shipping within the continental United States.



©2011 Argosy Console, Inc. All rights reserved.

The information transmitted is intended only for the person or entity to which it is addressed and may contain confidential and/or privileged material. If you are not the intended recipient of this message please do not read, copy, use, or disclose this communication and notify the sender immediately. It should be noted that any review, retransmission, dissemination or other use of, or taking action or reliance upon, this information by persons or entities other than the intended recipient is prohibited. All renderings, designs, and products remain the intellectual property of Argosy Console, Inc. These materials are provided by Argosy as a service to its customers and may be used for informational purposes only. Argosy Console, Inc. does not warrant the accuracy or completeness of information, text, graphics, photography, color representations, links or other items that may be contained within these materials. Argosy Console, Inc. shall not be liable for any special, indirect, incidental, or consequential damages, including without limitation to lost revenues or lost profits, that may result from use of these materials. Argosy Console, Inc. may make changes to these materials and/or to the products described therein at any time without notice. Use, duplication, or disclosure by the United States Government is subject to restrictions set forth in DFARS Section 252.227-7013 (c)(1)(ii) and FAR Section 52.227-19 as applicable. Trademark Information: The following are registered trademarks of Argosy Console, Inc. and its affiliates: Argosy, Argosy Console, Inc., Dream Studio. * All other brands and names are the property of their respective owners.